

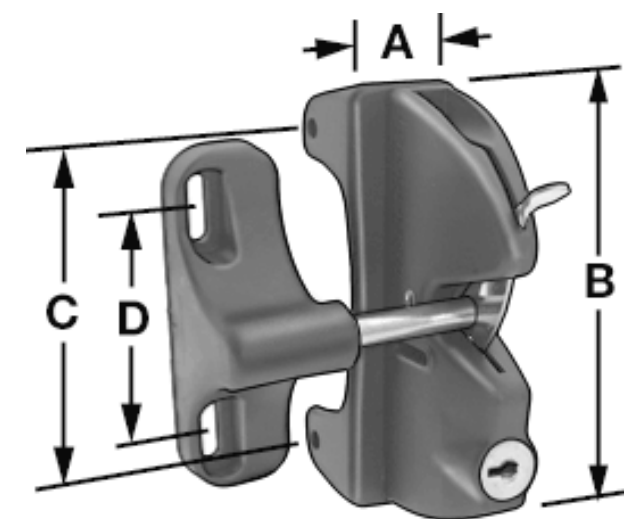


garbage receptacle constructed of steel with durable powder coated finish to match street signs. garbage receptacle to have leveling feet on bottom to allow for adjustability. entire receptacle to be bolted to ground via 1 centered lag bolt. bottom of receptacle to be open to allow water percolation and to deter rust and premature wear.

rigid plastic liner to be removed via a hinged door on the side of receptacle. door to be accessible via a keyed latch. keyed latch to be attached mechanically to door with tamper proof bolts. rigid liner to have handles to aid in easy removal and servicing.

garbage receptacle dimensions:

height: 38"
 diameter: 24"
 opening: 18"
 capacity: 45 gallons



keyed latch

design 1:

circular placard to be constructed of aluminum with durable powder coated finish (silver, milky chrome, grey). placard rolled to match radius of garbage receptacle. "W" to be through cut.

placard to be installed on side of garbage receptacle facing street. placard to be installed with 2 blackened stainless steel tamper proof button head bolts.



design 1

design 2:

circular placard to be constructed of aluminum with durable powder coated finish (silver, milky chrome, grey). placard rolled to match radius of garbage receptacle. "W" to be powder coated aluminum to match blackened stainless steel bolts and tack welded to circular placard from behind.

placard to be installed on side of garbage receptacle facing street. placard to be installed with 2 blackened stainless steel tamper proof button head bolts.



design 2

